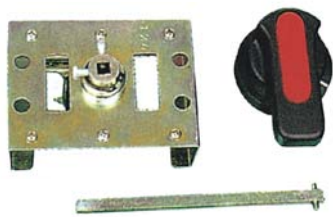


LM1 Series Moulded Case Circuit Breaker

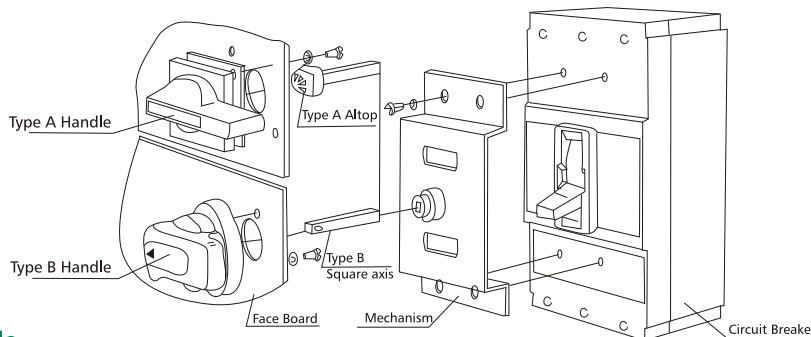
Rotary handle operation device

The mechanism is used in moulded case circuit breaker to operate the draw-out panel, Power distribution panel and supply box outside the panel by turning the handle, and to ensure the door of panel would not be opened when the breaker being on.

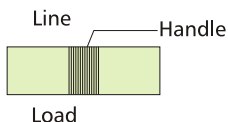
The hand-drive mechanism can be equipped with two types of operation, one is "A" model square handle, the other is "B" model round handle.



Rotary handle operation device



Release pattern and accessories code



SHT: Shunt release; UVR: Under-voltage release;
AX: Auxiliary contact; AL: Alarm contact

Release pattern and accessories code	Name	Type	LM1-63,100,225	LM1-400	LM1-630	LM1-800
200,300	No accessories		200: magnetic release (only short circuit protection) 300: thermal magnetic release(both overload and short circuit protection)			
208,308	Alarm contact		AL	AL	AL	AL
210,310	Shunt release		SHT	SHT	SHT	SHT
220,320	Auxiliary contact		AX	AX	AX	AX
230,330	Under-voltage release		UVR	UVR	UVR	UVR
240,340	Shunt release Auxiliary contact		SHT AX	SHT AX	SHT AX	AX SHT
250,350	Shunt release Under-voltage release		SHT UVR	SHT UVR	SHT UVR	UVR SHT
260,360	Two group of auxiliary contact		AX AX	AX AX	AX AX	AX AX
270,370	Under-voltage release Auxiliary contact		AX UVR	AX UVR	AX UVR	UVR AX
218,318	Shunt release Alarm contact		AL SHT	SHT AL	AL SHT	AL SHT
228,328	Alarm contact Auxiliary contact		AL AX	AL AX	AL AX	AL AX
238,338	Under-voltage release Alarm contact		AL UVR	AL UVR	AL UVR	AL UVR
248,348	Shunt release Alarm contact Auxiliary contact		AL AX SHT	SHT AL AX	AL AX SHT	AL AX SHT
268,368	Two group of auxiliary contact Alarm contact		AL AX AX	AL AX AX	AL AX AX	AL AX AX
278,378	Shunt release Alarm contact Under-voltage release		AL AX UVR	AL AX UVR	AL AX UVR	AL UVR UVR